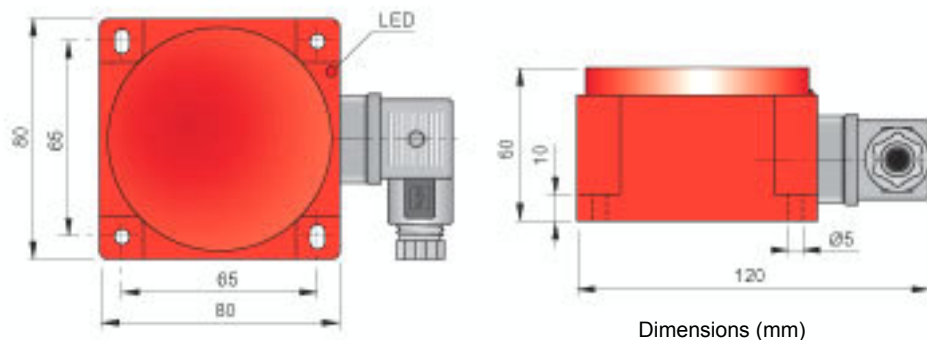


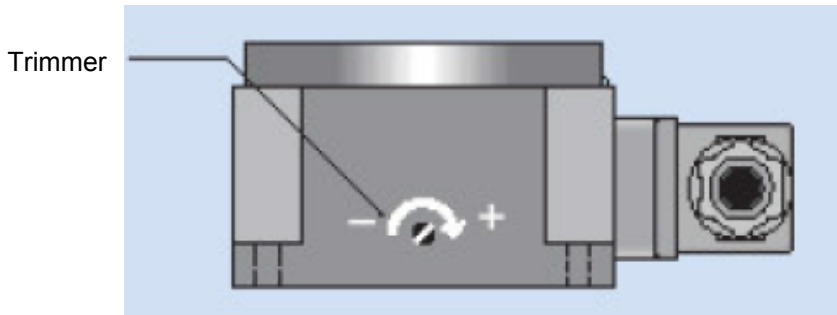
Increased switching distances - SIQ80-CE50 PNP NO+NC K

TECHNICAL DATA

Operating voltage:	10 ÷ 55 Vdc
Switching distance (mm):	10 ÷ 60 (adjustable)
Output:	PNP NO+NC
Hysteresis (%Sn):	< 10%
Max switching frequency:	50 Hz
Repeatability (%Sn):	< = 3
Max output current:	200 mA
Internal power consumption:	< 10 mA
Voltage drop:	< 1.8 V
Short circuit protection:	Yes
LED display:	Yes
Ambient temperature:	-25...70 °C
Protection class:	IP 65
Housing material:	Plastic
Dimensions:	80x80x50
Connection:	Connector
Weight:	430 g

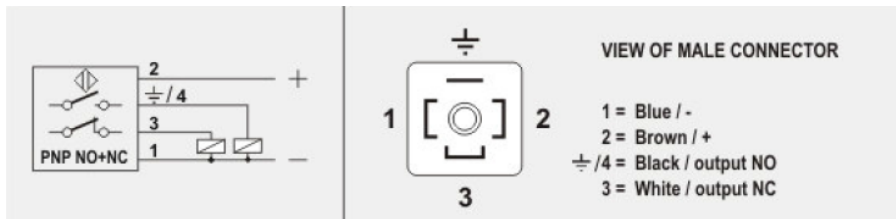


Increased switching distances - SIQ80-CE50 PNP NO+NC K



This sensor is supplied with a trimmer for the sensitivity adjustment. The sensitivity increases when the trimmer is rotated in the clockwise direction and decreases in the anti-clockwise direction. Avoid using for a capacity greater than 60 mm referred to a square piece of (FE 37) steel of 1 mm thickness the side of which is equal to 100 mm. When setting the sensor keep in consideration all other metallic objects nearby, in fact setting is suggested to be made when the sensor is installed in the normal working conditions. The sensor is supplied already pre-set to 50 mm sensitivity.

Wiring diagramm



Instruction for correct installation

Dimensions mm	A	B	C
SIQ 80	≥450	≥45	≥70

N.B.: A-B-C ratings are referred to $S_n = 35$ mm. To adjust less or more sensitivity they either must be decreased or increased.

SIQ80 - 08.17

The informations are provided to best of our knowledge. Subject to change. These products must not applied when the safety of persons rely on their faultless function. Dietz Sensortechnik refuses the liability for consequential loss resulting from the application of sensors from Dietz.